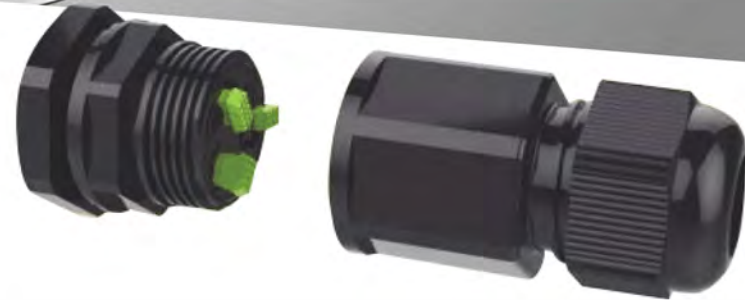


# IP69K Tri-proof LED Light **SPECIFICATION**



- Waterproof IP69
- 0-10V 0-10V Dim
- TRIAC Triac Dim
- DALI DALI Dim
- Motion sensor
- 5 Year Warranty
- IK10
- Flicker FREE

IP69

IK10

CE

RoHS



## Product Brief

MKLIGHTS Series D LED Tri-proof Light are an ideal solution for food processing and poultry lighting industry.

The IP69K is the highest level of this protection and is designed for applications where water jets are under high pressure and high temperature are used for specific wash-downs. This will also include special sensitization and chemical cleaning. In some instances, the cleaning process involves very intensive requirements for industries such as Food & Beverage as well as the vehicle industry.

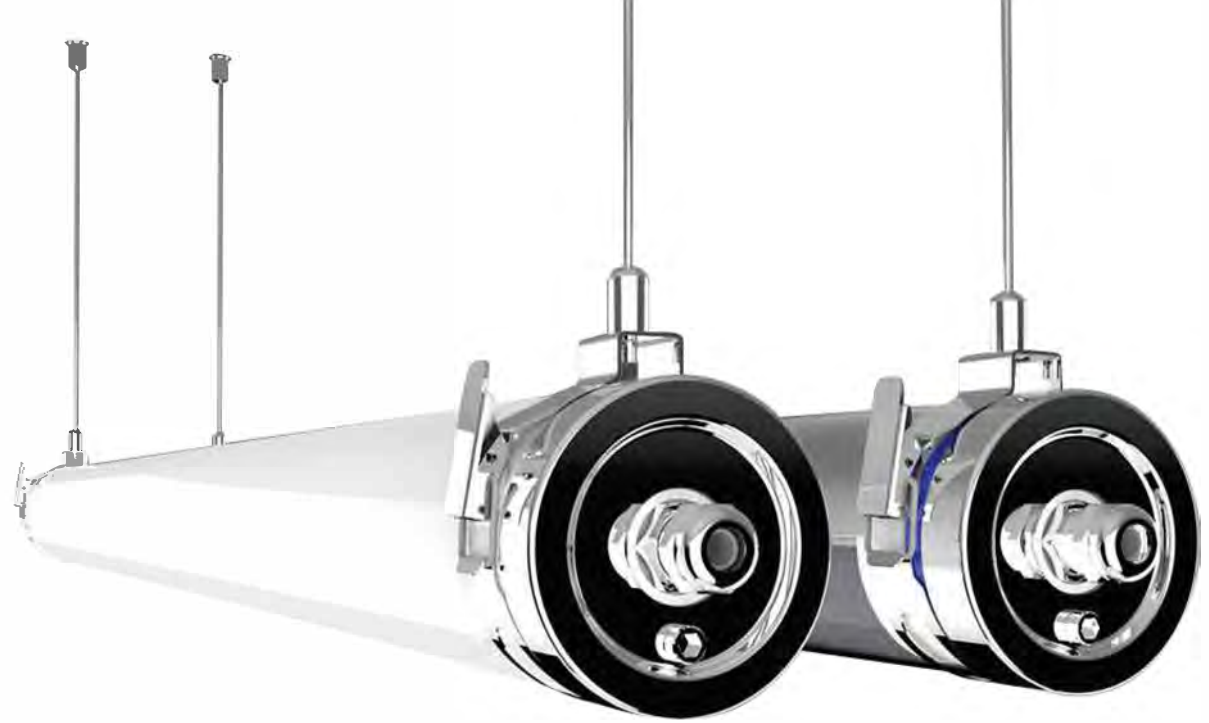
## Application

- Food Processing
- Farm Lighting
- Poultry Lighting
- Car Washing

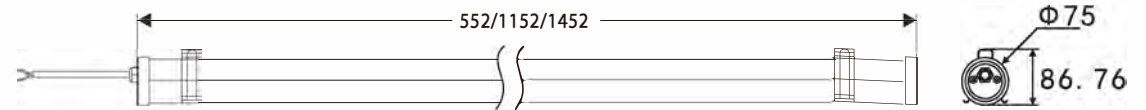


## Features

- IP69K, IP67, Anti-ammonia
- PMMA IK08 / PC IK10 (Cover)+ Stainless Steel(end cap)
- Against water pressure of 100bar(1450psi) and temperature of 80°C
- System efficiency up to 130lm/W & 150lm/W option
- High CRI >80
- UGR<19 option
- Linkable options with quick connection
- Environmentally friendly, no mercury, No UV, No IR
- Wide beam angle 120°
- Energy Efficiency Grade: A+
- QuickStart instant 100% luminous flux
- Flicker Free driver
- 5 Year Warranty on complete fixture. (LED's, Driver & Housing)
- Certificate: CE, RoHs Certified
- Surface Mount or Suspended



## Dimension



Unit:mm

Model	L(Norm)	W(Norm)	H(Norm)
MK-TP2D-20W	552	75	86
MK-TP4D-40W	1152	75	86
MK-TP5D-50W	1452	75	86
MK-TP5D-60W	1452	75	86

## S/N Rules

TP X D - XXW      { Ex TP 4 D - 40W }

①    ②    ③    ④                      ①    ②    ③    ④

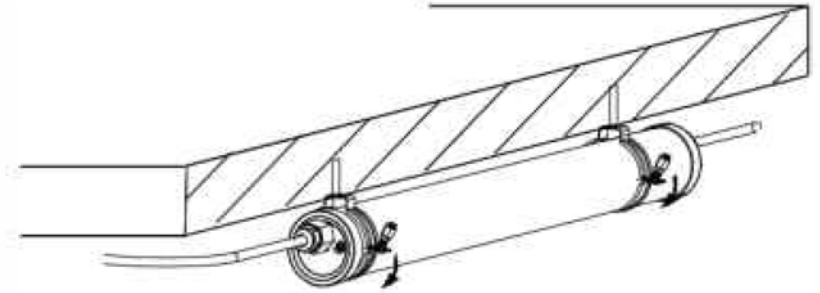
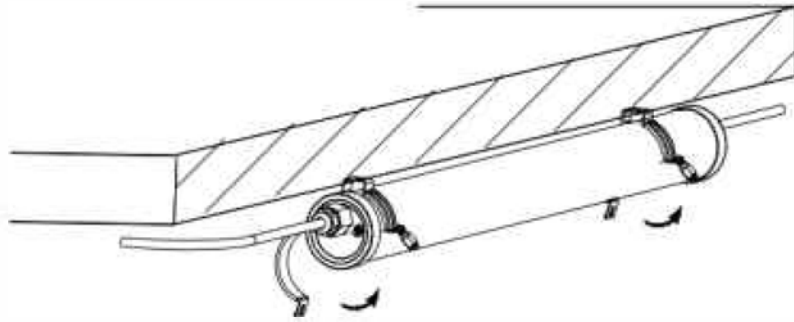
- ① TP: Triproof
- ② X(4): Length:1200mm(4ft);2:600mm(2ft), 3,3ft...
- ③ D: Product Structure Series
- ④ XXW(40W): Power Consumption

## Specifications

Model No.:	MK-TP2D-20W	MK-TP4D-40W	MK-TP5D-50W	MK-TP5D-60W
Input Power:	20W	40W	50W	60W
Dimension:	552*Ø75mm	1152*Ø75mm	1452*Ø75mm	1452*Ø75mm
CCT:	4000K/5000K/6000K			
CRI:	>80			
Power Factor :	>0.9			
IP Grade:	IP69			
Input Voltage:	AC200-240V(50/60Hz)			
Lumen Efficiency:	130lm/w			
Beam Angle:	120°			
Working Temp:	-40°~45°			
Warranty:	5 Years			
L9:	50,000H			
Light Souce :	SMD2835			
LED Q'ty	192pcs	312pcs	400pcs	468pcs
N.W/CTN	10	16	18	18
G.W/CTN	12	18	20	20
Q'ty/CTN	9	6	6	6
Size/CTN	710*270*270mm	1310*270*270mm	1610*270*200mm	1610*270*200mm

# Installations

## Surface Mount



## Suspension Mount

