



Features & Benefits

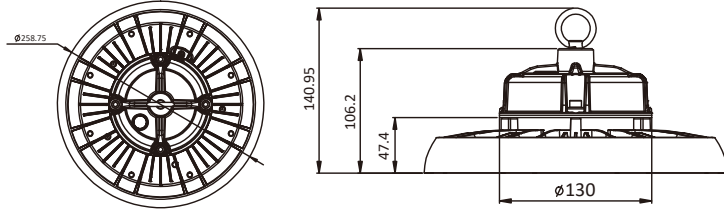
- Lightweight, impact resistant fixture is designed for easy and safe installation.
- Die-casting technology by ADC12, excellent thermal management, reduce the temperature difference and ensure the lumen depreciation. Multiple mounting options for a variety of applications, Pendant, loop.
- High strength polycarbonate lens, achieve IK 08, Anti-UV, transmittance > 94%
- Multiple lighting distributions: 60°/90°/120°
- Top brand LED chip and driver, ensure the product quality and lifetime
- Ingress Protection Rating: IP65
- Operation Temperature: -35 °C -+50 °C
- Up to 140lm/W; 170lm/W;190lm/W
- 3000K, 4000K,5000K,5700K color temperature
- CRI >80
- Offered in 100, 150, 200 and 240W

Options

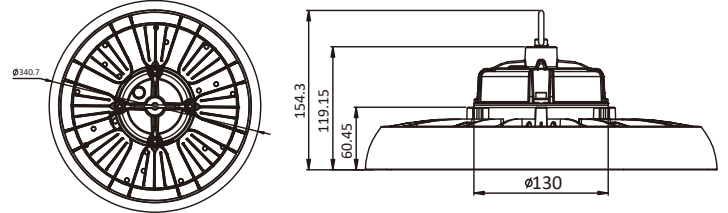
1. Aluminum Reflector
2. 1-10V /DALI Dimming
3. Microwave Sensor
4. Emergency Kits
5. 60/90/110 degree lens
6. Adjustable mounting bracket
7. Safety Steel Rope
8. CCT & Power Adjustable

Dimensions

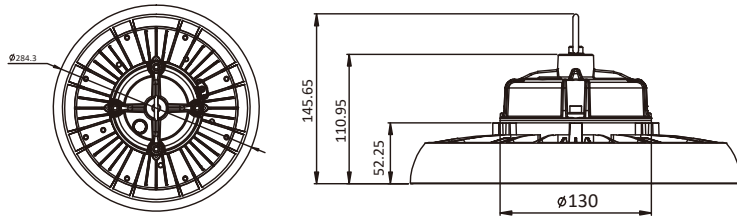
01 MK-BG-100



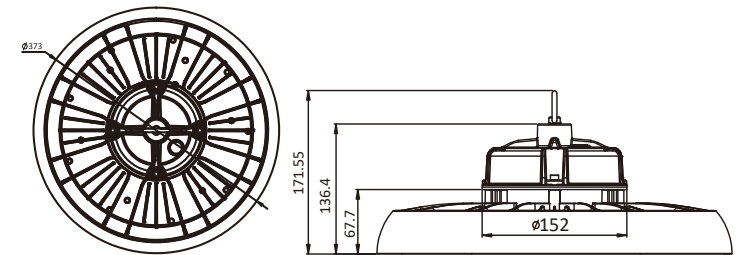
03 MK-BG-200



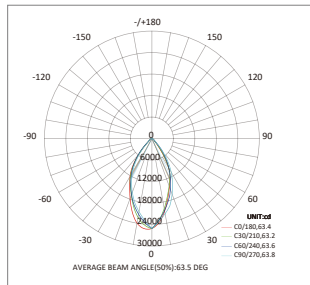
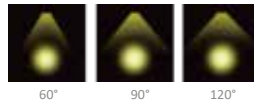
02 MK-BG-150



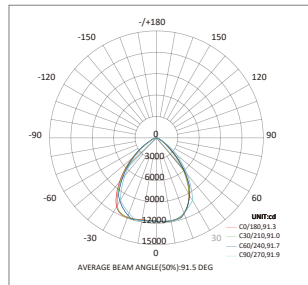
04 MK-BG-240



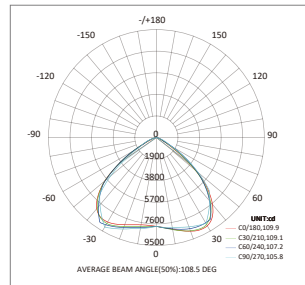
Photometry



60°

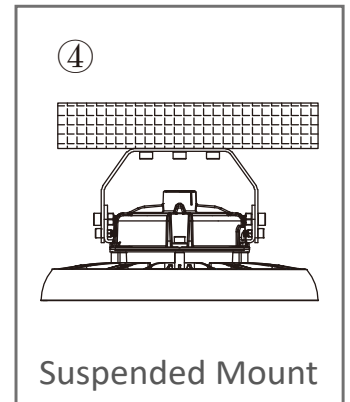
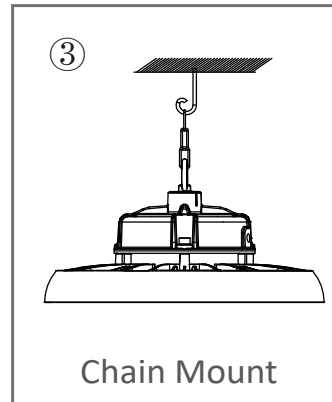
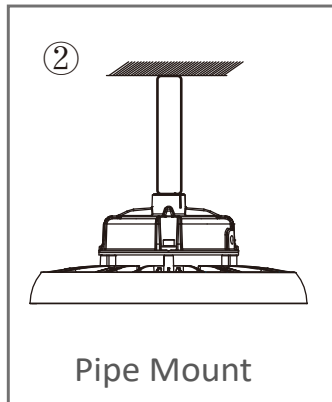
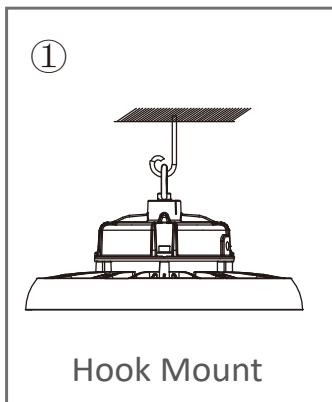


90°



120°

Installation



Accessories Options



Alu Reflector



U Bracket



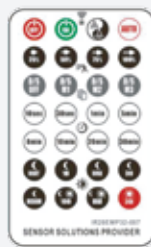
Pipe Mount: 3/4 nut with M10



Safety Steel rope



Microwave Sensor



Remote Controller



Emergency kits

4000K/5000K/5700K

- 80W/100W/150W
- 150W/200W/240W



CCT & Power Adjustable

Specifications

Model No.	MK-BG-100	MK-BG-150	MK-BG-200	MK-BG-240
Rated Power	100W	150W	200W	240W
Input Voltage	AC100 ~ 277V			
Chip	OSRAM/LUMILEDS			
CRI	Ra>80			
Power Factor	>0.95			
Luminous Efficacy	150lm/W/170lm/W/190lm/W			
IP Rating	IP65			
Operation Temperature	-35°C~+50°C			
Beam Angle	60°/90°/120°			
Warranty	5 years			
Dimension	251*141mm	284*146mm	340*154mm	373*171mm
Certificate	CE / RoHS			