

# FB SERIES LED Flood Light

**5** YEAR  
WARRANTY



## Areas of application

- Recreational sports
- Billboard lighting
- Accent lighting
- Parking lots
- Roundabout
- Outdoor sports

## Product Benefits

- Up to 100,000hrs @ L70, low maintenance cost
- World class, approbated quality components (LEDs /Driver /etc.)
- Equipped with vent to avoid internal fogging and frosting
- Wide choice of optics to suit more applications (asymmetrical and symmetrical)
- Buckle design makes it very easy for further maintenance
- 5 years warranty

## Product Features

- Luminaire efficacy: Up to 170 lm /w
- Lifetime more than 100,000 hours
- Impact resistance: IK10
- Type of protection: IP66



## Product Datasheet

### Version 1

Model No		MK-FB1-30	MK-FB1-30+	MK-FB1-40	MK-FB1-50	MK-FB1-60
Nominal Wattage		30W	30W	40W	50W	60W
3030 Version	Efficiency Lumen	140 lm /w 4200 lm	155 lm /w 4650 lm	150 lm /w 6000 lm	140 lm /w 7000 lm	130 lm /w 7800 lm

### Version 2

Model No		MK-FB2-60	MK-FB2-60+	MK-FB2-80	MK-FB2-80+	MK-FB2-100	MK-FB2-120
Nominal Wattage		60W	60W	80W	80W	100W	120W
3030 Version	Efficiency Lumen	150 lm /w 9000 lm	165 lm /w 9900 lm	145 lm /w 11600 lm	160 lm /w 12800 lm	145 lm /w 14500 lm	145 lm /w 17400 lm
5050 Version	Efficiency Lumen	160 lm /w 9600 lm	170 lm /w 10200 lm	155 lm /w 12400 lm	165 lm /w 13200 lm	155 lm /w 15500 lm	155 lm /w 18600 lm

### Version 3

Model No		MK-FB3-150	MK-FB3-150+	MK-FB3-180	MK-FB3-180+	MK-FB3-200	MK-FB3-240
Nominal Wattage		150W	150W	180W	180W	200W	240W
3030 Version	Efficiency Lumen	145 lm /w 21750 lm	160 lm /w 24000 lm	150 lm /w 27000 lm	155 lm /w 27900 lm	145lm /w 29000 lm	140 lm /w 33600 lm
5050 Version	Efficiency Lumen	155 lm /w 23250 lm	165 lm /w 24750 lm	160 lm /w 28800 lm	165 lm /w 29700 lm	155 lm /w 31000 lm	150 lm /w 36000 lm

### Version 4

Model No		MK-FB4-320	MK-FB4-320+	MK-FB4-400
Nominal Wattage		320W	320W	400W
3030 Version	Efficiency Lumen	155 lm /w 49600 lm	160 lm /w 51200 lm	150 lm /w 60000 lm
5050 Version	Efficiency Lumen	165 lm /w 52800 lm	170 lm /w 54400 lm	160 lm /w 64000 lm

\*Above values are calculated based on the product with CCT over 3000K, values of 3000K are 5% lower than above values.

\*Luminous efficacy of asymmetrical is 5% lower than other light distributions.

\*Values shown are subject to ±5% tolerance.

### Electrical Data:

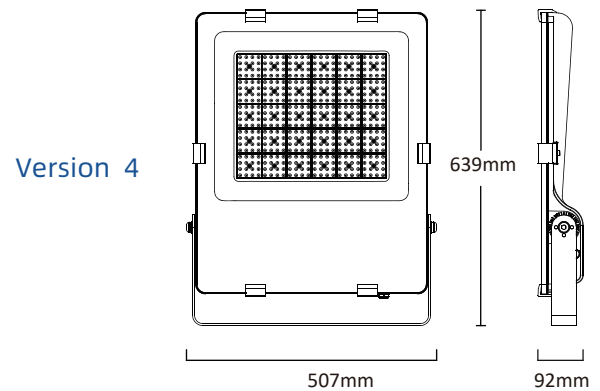
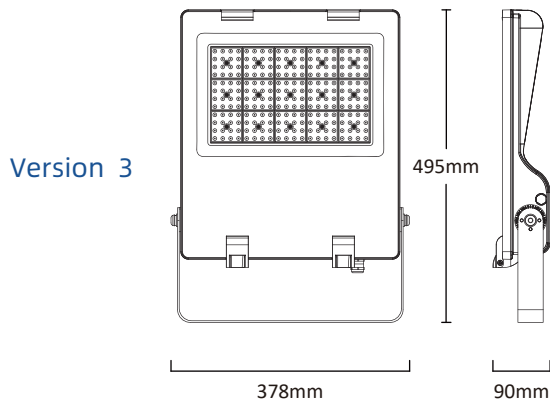
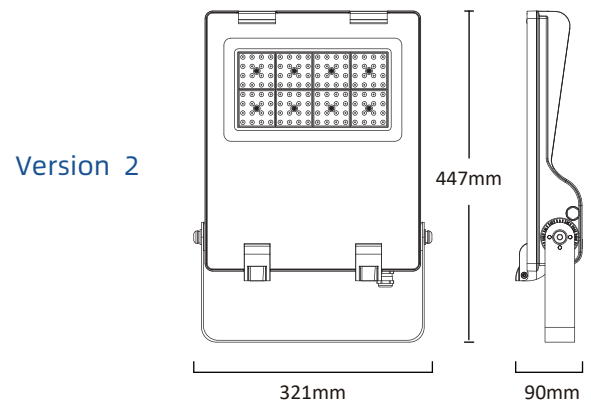
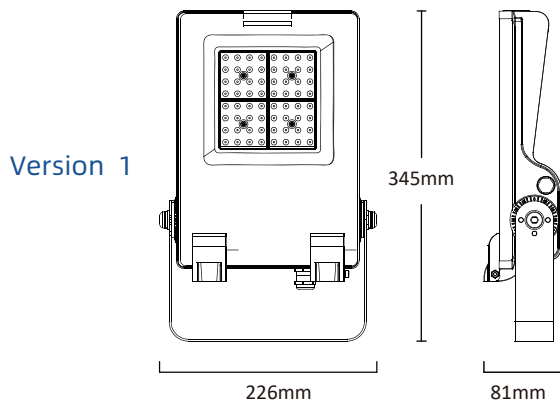
Nominal Voltage	AC 100-240V / 277V   50 / 60Hz
LED	Philips Lumileds
Driver	Default: Inventronics for 30-320W, SOSEN for 400W / Other brands on request
Power Factor (PF)	>0.95
THD	<15
SPD	10KV (Build-in Driver) / Extra 10KV SPD (Order on request except version XL)
Optics	25°, 60°, 90°, 120° or Asymmetrical
Standard Deviation of Color Matching	<5 SDCM
CRI	Ra>70 (Default) / Ra>80
CCT	3000K, 4000K, 5000K, 5700K

## Product Datasheet

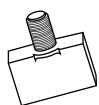
### General Data

Body Material	High pressure die-cast aluminum
Housing Color	Gray (Default) /Black (available on request)
Cover Material	Tempered glass
Lens Material	UV-resistant Polycarbonate
Working Environment	-40°C ~ +50°C, 10% ~90%RH
Lifespan L70 at 25 °C	>100, 000 h
Mounting Type	Bracket mounted
Mounting Location	Wall /Pole /Floor /Ceiling
Dimmable	1-10V Dimming (Default) /Timer Dimming
Protection Class	Class I (Default) /Class II (30W-240W)
Standards	CE, RoHS, LM79, LM80, TM-21, IP66, IK10
Available on request	Photocell, Motion sensor, NTC, OLC, Solar Compatible, DALI Dimming

### Product dimensions



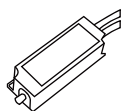
### Optional accessories



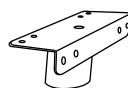
Photocell



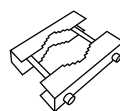
PIR Sensor



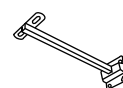
Smart Controller



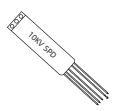
Pole Adapter



Clamp Bracket



Mounting Arm



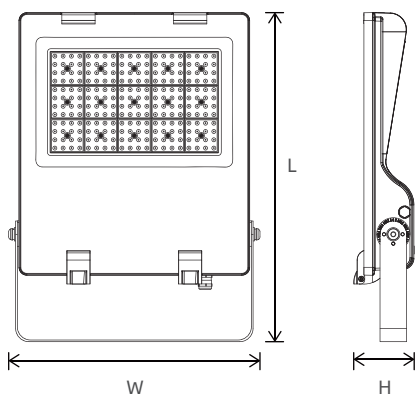
Extra 10KV SPD

## Product Datasheet

### Structure Drawing:



### Dimension:



#### Fixture Information

Version	L1 xW1 xH1	Weight
1	345 x226 x81mm	2.3kg
2	447 x321 x90mm	4.4kg
3	495 x378 x90mm	6.0kg
4	639 x507 x92mm	12.0kg

#### Package Information

Version	L2 xW2 xH2	Weight
1	350 x295 x145mm	2.9kg
2	425 x385 x140mm	4.9kg
3	470 x445 x145mm	6.7kg
4	655 x570 x180mm	13.5kg

