

# FI SERIES

## LED Sports & High Mast Light

**5 YEAR**  
WARRANTY



### Product Benefits

- Up to 100,000hrs @ L70, low maintenance cost
- World class, approbated quality components (LEDs /Driver /etc.)
- Module gap design reduces wind area resistance & increases heat
- Wide choice of optics to suit more applications (asymmetrical and symmetrical)
- Maximum power up to 1000W, maximum luminous flux up to 145,000lm
- 5 years warranty

### Product Features

- Luminaire efficacy: Up to 145 lm /w
- Lifetime more than 100,000 hours
- Impact resistance: IK10
- Type of protection: IP66



## Product Datasheet

Model No	MK-FI-400	MK-FI-480	MK-FI-800	MK-FI-960
Nominal Wattage	400W	480W	800W	960W
3030 Version				
Efficiency Lumen	145 lm /w 58000 lm	145 lm /w 69600 lm	145 lm /w 116000 lm	145 lm /w 139200 lm
Fixture Dimension (mm)	493x439x421	493x439x421	651x585x511	651x585x511
Fixture Weight (kg)	15.0	15.0	27.5	27.5
Packing Type	1 unit /ctn	1 unit /ctn	1 unit /ctn	1 unit /ctn
Packing Dimension (mm)	550x500x500	550x500x500	700x650x600	700x650x600
Packing Weight (kg)	16.0	16.0	29.3	29.3

\*Above values are calculated based on the product with CCT over 3000K, values of 3000K are 5% lower than above values.

\*Values shown are subject to ±5% tolerance.

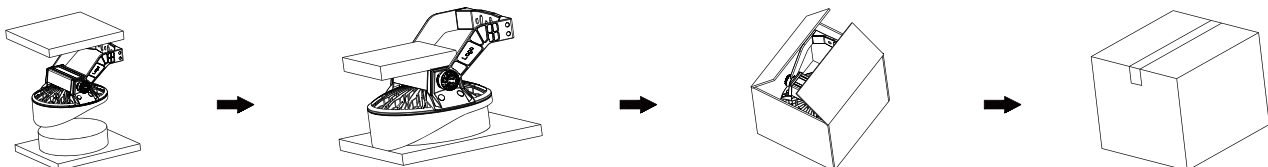
## Electrical Data

Nominal Voltage	AC 100-240V /277V   50 /60Hz
LED	Philips Lumileds/OSRAM
Driver	Meanwell /SOSEN
Power Factor (PF)	>0.95
THD	<15
SPD	10KV
Optics	8°/25°/45°/60°/90°
Standard Deviation of Color Matching	<5 SDCM
CRI	Ra>70 (Default) /Ra>80
CCT	3000K, 4000K, 5000K, 5700K

## General Data

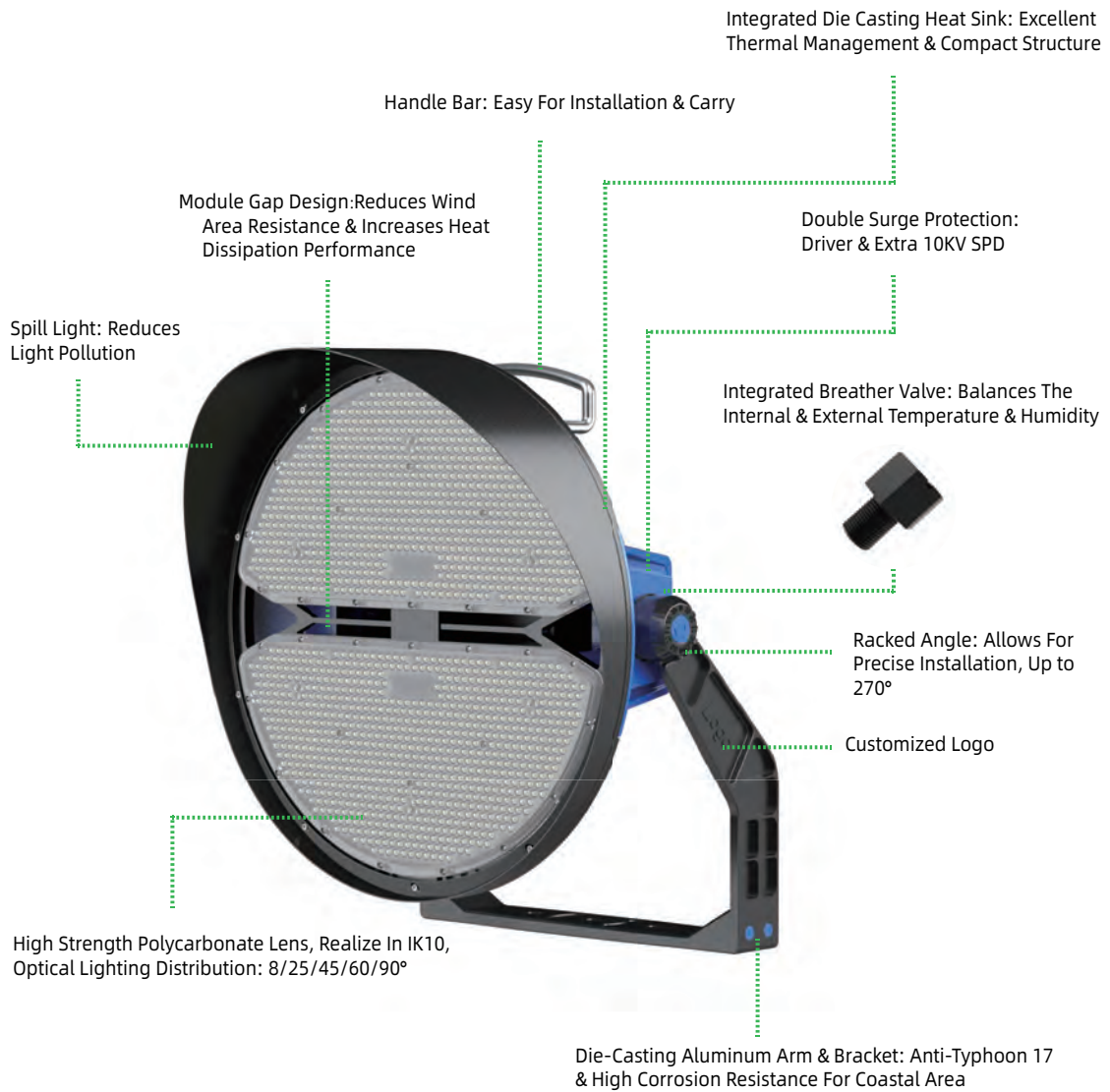
Body Material	High pressure die-cast aluminum
Housing Color	Black (Default) / Other color (available on request)
Bracket Material	Galvanized bracket with corrosion resistant treatment
Lens Material	UV-resistant Polycarbonate
Working Environment	-40°C ~ +50°C, 10% ~90%RH
Lifespan L70 at 25 °C	>100, 000 h
Mounting Type	Bracket mounted
Mounting Location	Wall /Pole /Floor /Ceiling
Dimming options	1-10V Dimming/Timer Dimming/DALI Dimming
Protection Class	Class I (Default) /Class II
Standards	CE, RoHS, LM80, TM-21, IP66, IK10
Available on request	Smart Control, OLC, laser pen

## Packing

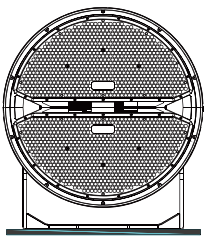


Product Datasheet

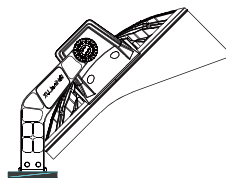
Structure Drawing



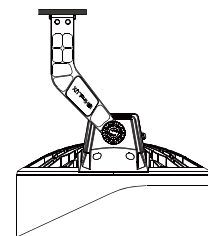
Installation



Vertical Mounting



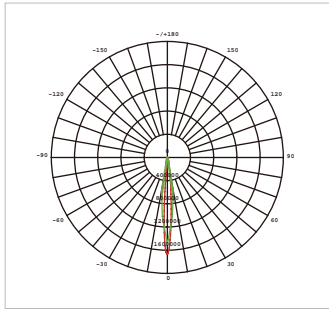
Vertical Mounting



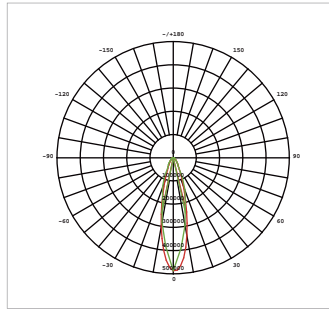
Hanging Mounting

Product Datasheet

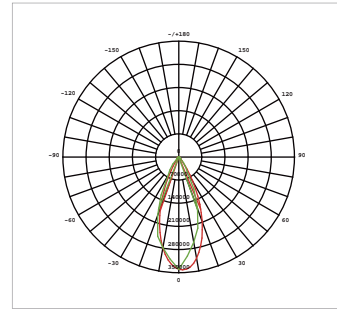
Light Distributions



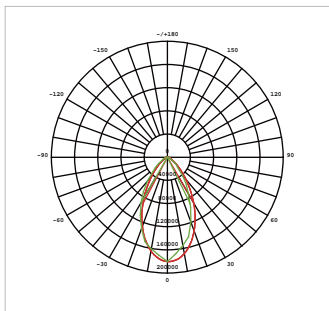
8 deg



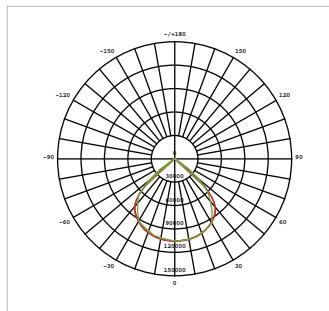
25 deg



45 deg

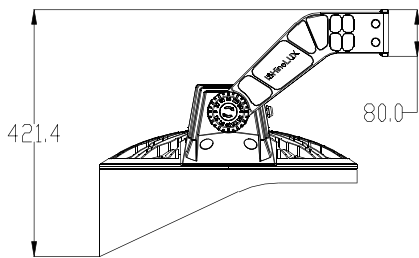


60 deg

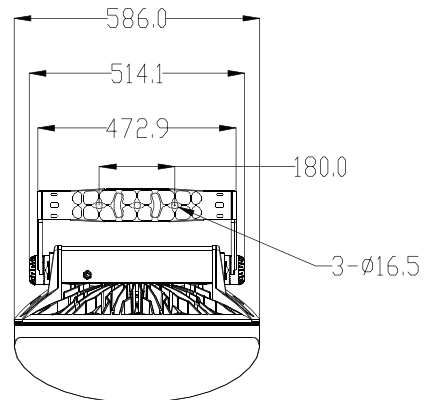
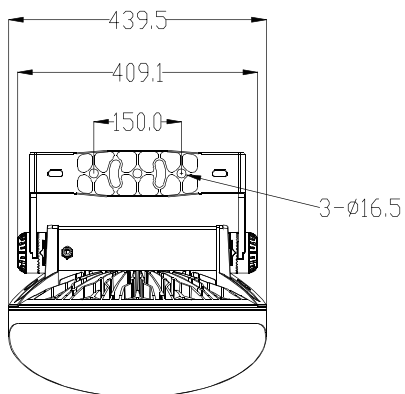


90 deg

Dimensions



400/480W



800/960W

