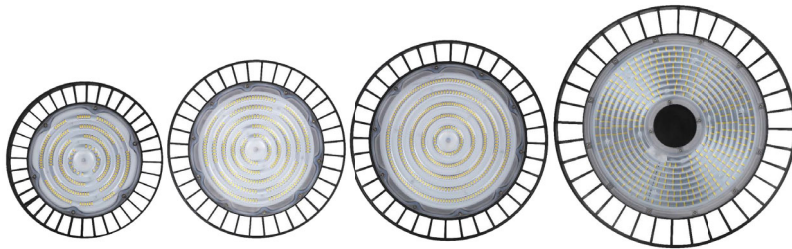


# BD SERIES

## LED High Bay Light

---



### Areas of application

- Warehouse
- Garages
- Workshop
- Commercial Facilities
- Aisles (Open & Stock)
- Field Houses & Gymnasiums

---

### Product Benefits

- 70% energy saving, short ROI period
- Up to 50,000hrs @ L70, low maintenance cost
- Durability, suitable for dry and wet applications
- Versatile in mounting with wall mounted, loop hanging, steel chain hanging
- RoHS compliant, environmental friendly, no mercury or lead, 100% recyclable
- 5 years warranty

---

### Product Features

- Luminaire efficacy: Up to 140 lm /w
- Symmetrical beam angle: 60°, 90°, 110°
- Impact resistance: IK10
- Type of protection: IP65
- Available from 3000K, 4000K, 5000K, 5700K
- Available with Motion /PIR Sensor



## Product Datasheet

### Electrical Specifications:

Model No.	MK-BD-100	MK-BD-150	MK-BD-200	MK-BD-240	MK-BD-300
Nominal Wattage	100W	150W	200W	240W	300W
Nominal Voltage	AC 100-240V /277V				
Mains Frequency	50 /60Hz				
LED	Lumileds 2835				
Driver	SOSEN driver				
Power Factor (PF)	> 0.95				
THD	< 10				
SPD	4KV line-line, 6KV line-earth				

### Photometric Specifications:

	MK-BD-100	MK-BD-150	MK-BD-200	MK-BD-240	MK-BD-300
Luminous Efficacy ( ±5%)	140 lm /w	140 lm /w	140 lm /w	140 lm /w	140 lm /w
Lumen Output ( ±5%)	14000 lm	21000 lm	28000 lm	33600 lm	42000 lm
Optics	60°, 90°, 110°				
Standard Deviation of Color Matching	<5 SDCM				
CRI	>Ra70( >Ra80 optional)				
CCT	3000K, 4000K, 5000K, 5700K				

### Dimension & Weight

	MK-BD-100	MK-BD-150	MK-BD-200	MK-BD-240	MK-BD-300
Fixture Dimension (mm)	256 x256 x150	300 x300 x150	340 x340 x153	340 x340 x153	386 x386 x165
Fixture Weight (kg)	4.2	5.2	6.3	6.3	9.2
Packing Type	4units /ctn	2units /ctn	1units /ctn	1units /ctn	1unit /ctn
Packing Dimension (mm)	730 x370 x320	400 x400 x310	410 x410 x160	410 x410 x160	460 x460 x175
Packing Weight (kg)	15.6	9.9	7.3	7.3	10.0

### Mechanical Specifications

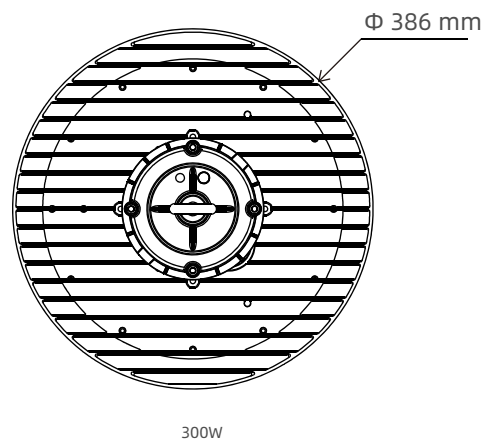
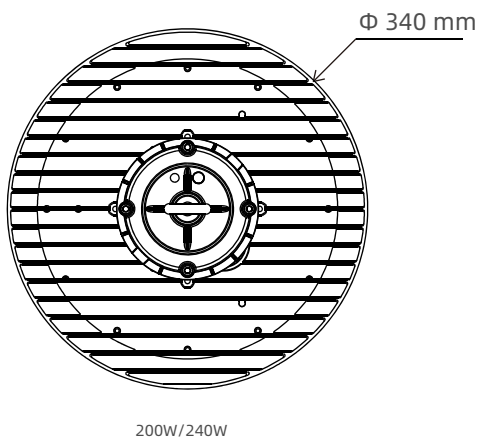
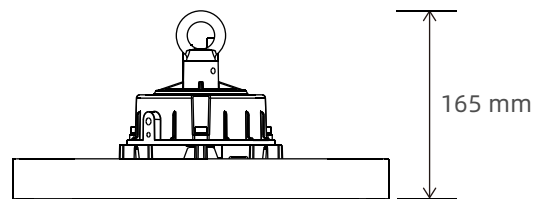
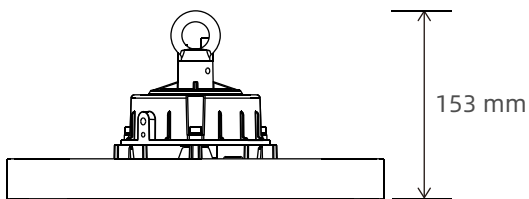
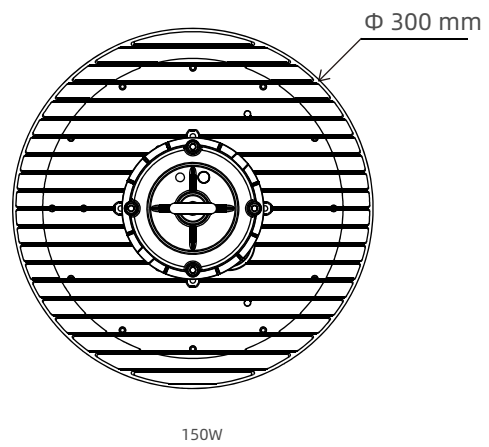
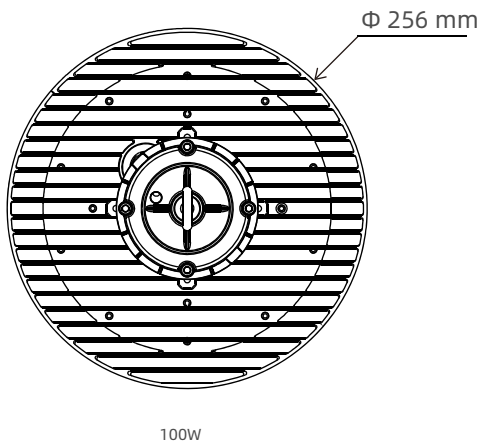
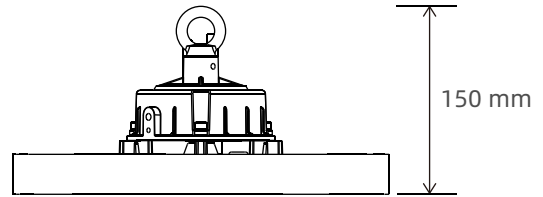
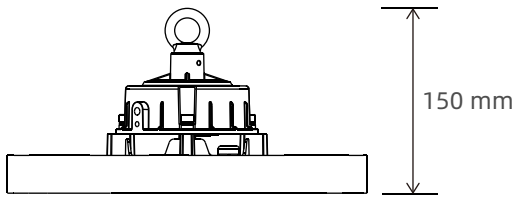
Body Material	Die-cast Aluminum Housing
Housing Color	Black
Cover Material	PC
Cable Length	300 mm (Input); 210mm (Dimming)
Ambient Temperature Range	-40°C ~ +50°C
Number of Switching Cycles	100, 000
Lifespan L70 at 25 °C	50, 000 h
Mounting Type	Hook Loop, Various Brackets
Mounting Location	Wall / Ceiling
Dimmable	Non-Dimming (Default) /0-10V Dimming / Zigbee Wireless Dimming
Type of Connection	Cable, 3-pole
LED Module Replaceable	Replaceable

### Certificates & standards

Protection Class IK (shock resistance)	IK10
Protection Class	Class I
Type of Protection	IP65
Standards	CE, RoHS

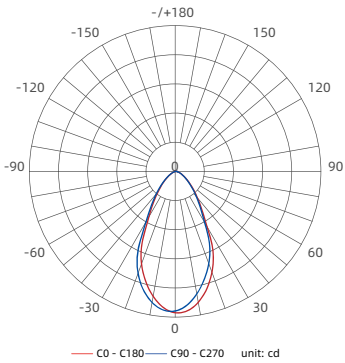
Structure

Dimension

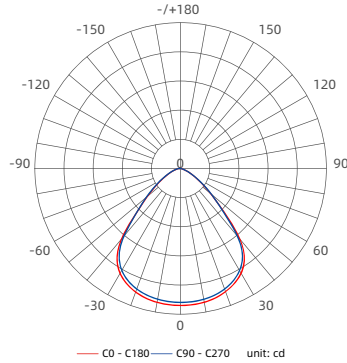


## Photometrics

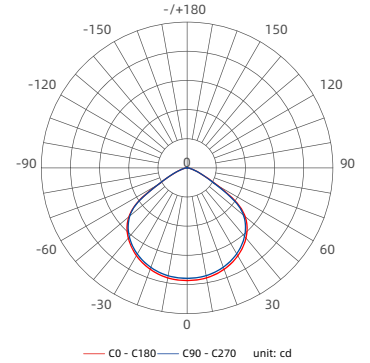
### 60° Beam Angle



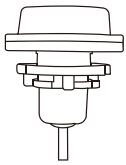
### 90° Beam Angle



### 110° Beam Angle



## Accessories



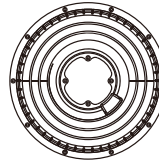
Motion Sensor



Zigbee Controller



Safety Chain



PC Lens



Reflector



Bracket

## Examples



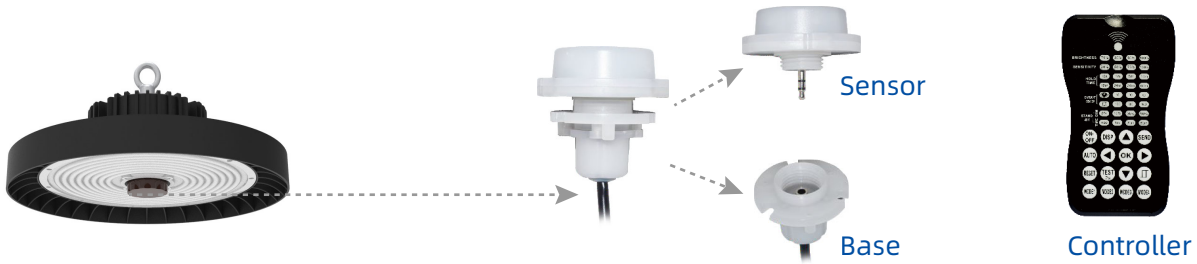
Bracket mounted



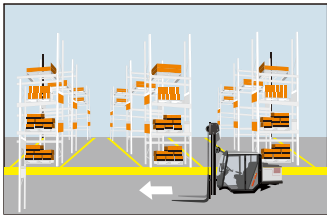
Reflector

## Smart Control

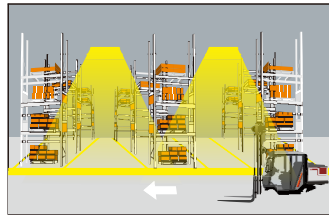
### Microwave Motion Sensor



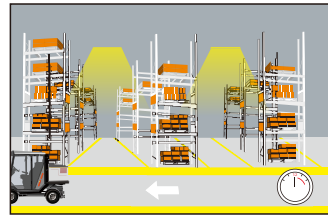
When used in combination with 0-10V dimmable LED drivers, the sensors can achieve 3-step dimming function, 100%---> low light --->off. And the sensors have built in adjustable daylight sensors, which are very easy to install and cost-effective.



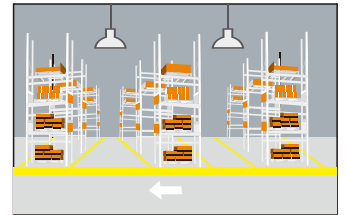
With sufficient ambient light, the sensor does not switch on the lamp.



With insufficient ambient light, the sensor switches on the lamp when motion is detected.



After hold time, the sensor dims the lamp at a low light level if no new motion trigger.



After stand-by period, the sensor switches off the lamp if no motion is detected in its detection zone.

### ZigBee Wireless Control System

ZigBee 2.4G 1-10V dimming LED controller Connected to a dimming driver, this controller shows real-time data on App, such as current, power rate and power consumption. It is applied to street, office and industry LED lighting for dimming purposes. It works with 1-10V or 0-10V dimming drivers. Also it works with ZigBee lighting control system to achieve short-distance or long-distance controlling led lights by Mobile Phone, Tablet, PC, Touch Switch, Remote Control, Daylight Sensor and Motion Sensor.

### System Diagram

