

# RC SERIES LED Canopy Light



## Areas of application

- Gas station
- Warehouse
- Logistic hall
- Toll station
- Exhibition center
- Workshop

**5 YEAR  
WARRANTY**

## Product Benefits

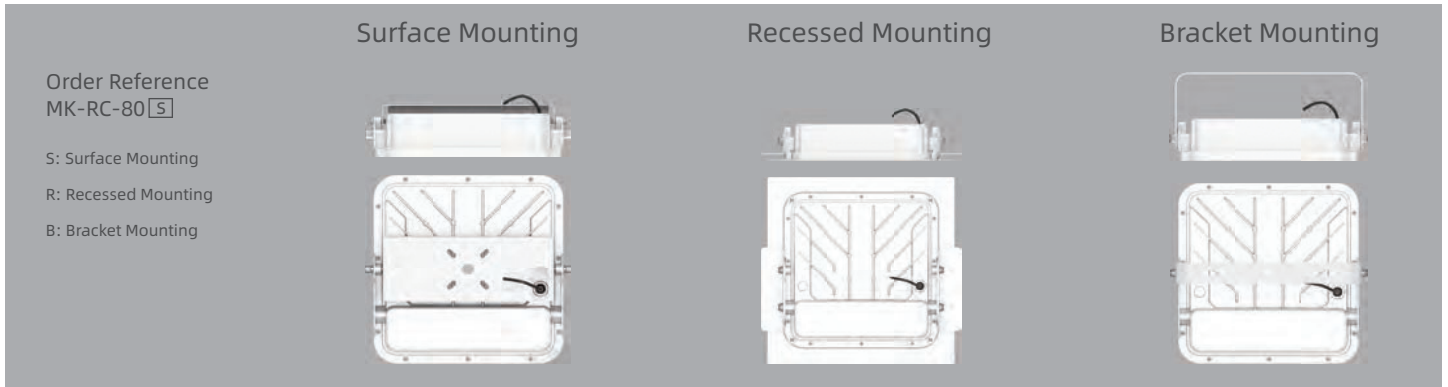
- Up to 100,000hrs @ L70, low maintenance cost
- World class, approbated quality components (LEDs /Driver /etc.)
- Tempered glass cover, easy for cleaning
- Compact die-cast structure, solid mechanism and reliable quality
- Atex certification allows the lamps to be used safely in flammable and explosive areas
- Optional installations accessories for recessed, surface and bracket mounting
- 5 years warranty

## Product Features

- Luminaire efficacy: Up to 165 lm /w
- Lifetime more than 100,000 hours
- Impact resistance: IK10
- Type of protection: IP66



## Product Datasheet



### Electrical Data:

Model No	MK-RC-60 <input type="checkbox"/>	MK-RC-80 <input type="checkbox"/>	MK-RC-100 <input type="checkbox"/>	MK-RC-120 <input type="checkbox"/>	MK-RC-150 <input type="checkbox"/>
Nominal Wattage	60W	80W	100W	120W	150W
Efficiency(±5%)	170 lm /w	165 lm /w	160 lm /w	160 lm /w	155 lm /w
Lumen(±5%)	10200 lm	13200 lm	16000 lm	19200 lm	23250 lm
Nominal Voltage	AC 100-240V /277V   50 /60Hz				
LED	USA Bridgelux				
Driver	Inventronics (Default) /Other brands on request				
Power Factor (PF)	>0,95				
THD	<15				
SPD	10KV (Build-in Driver) /Extra 10KV SPD (Available on request)				
Optics	60°, 90° or 120°				
Standard Deviation of Color Matching	<5 SDCM				
CRI	Ra>70 (Default) /Ra>80				
CCT	3000K, 4000K, 5000K, 5700K				

\*Above values are calculated based on the product with CCT over 3000K, values of 3000K are 5% lower than above values.

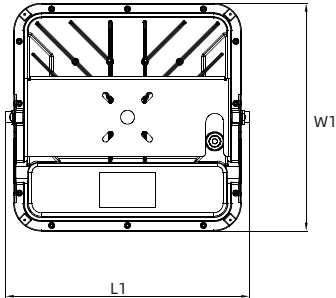
### General Data

Body Material	High pressure die-cast aluminum
Housing Color	White
Cover Material	Tempered glass
Lens Material	UV-resistant Polycarbonate
Working Environment	-40°C ~ +50°C, 10% ~ 90%RH
Lifespan L70 at 25 °C	>100, 000 h
Mounting Type	Surface mounting /Recessed mounting /Bracket mounting
Mounting Location	Wall / Ceiling
Dimmable	1-10V Dimming (Default) /Timer Dimming
Protection Class	Class I (Default) /Class II
Standards	CE, RoHS, CB, LM79, LM80, TM-21, ATEX, IP66, IK10
Available on request	Motion sensor, NTC, OLC, DALI Dimming

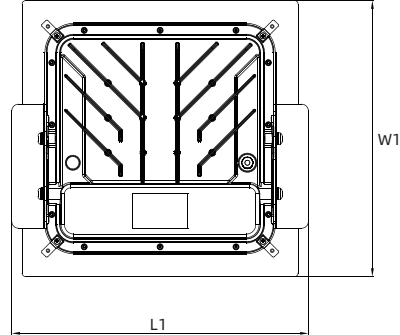
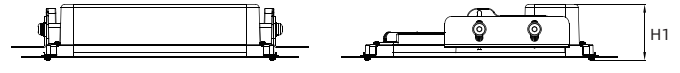
## Product Datasheet

### Product Dimensions:

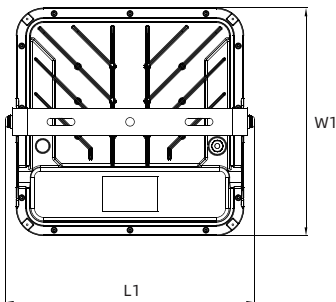
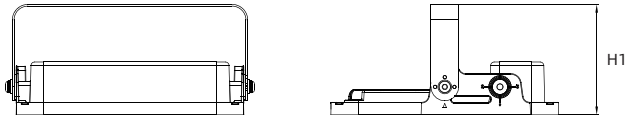
#### Surface Mounting



#### Recessed Mounting

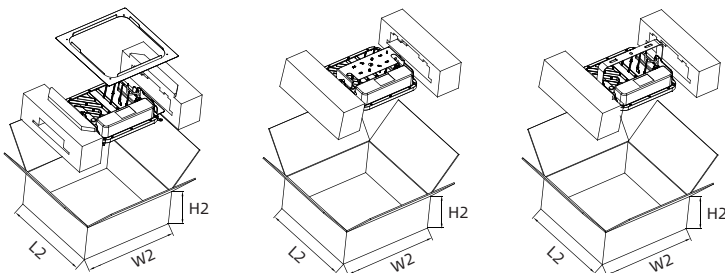


#### Bracket Mounting



Version	L1 xW1 xH1	Weight
Surface Mounting	354 x330 x92mm	4.3kg
Recessed Mounting	430 x400 x81mm	4.7kg
Bracket Mounting	361 x330 x160mm	4.0kg

### Packing Information:

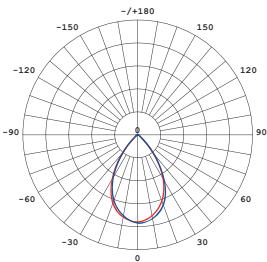
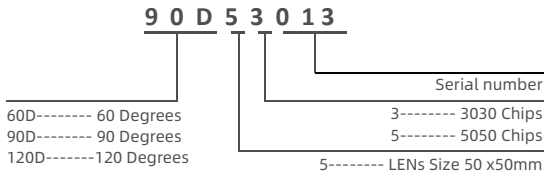


Version	L2 xW2 xH2	Weight
Surface Mounting	380 x380 x150mm	4.9kg
Recessed Mounting	440 x440 x175mm	5.6kg
Bracket Mounting	380 x380 x150mm	4.6kg

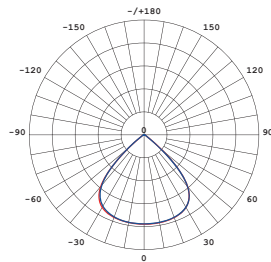
## Product Datasheet

### Light Distributions

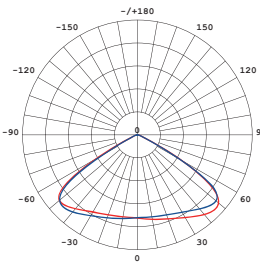
#### Order reference



60D53012

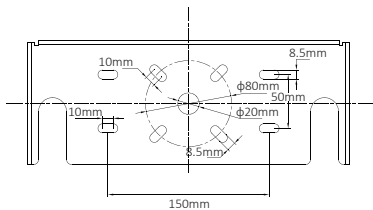


90D53013

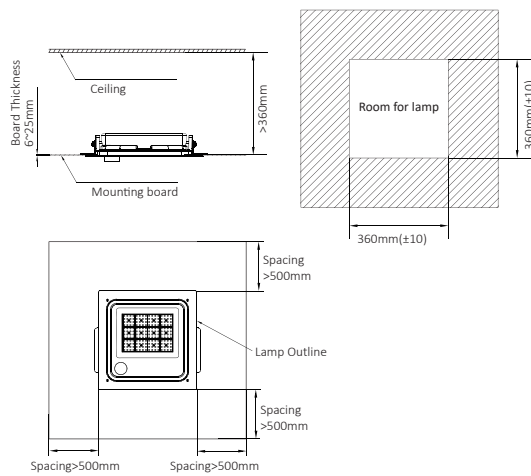


120D53014

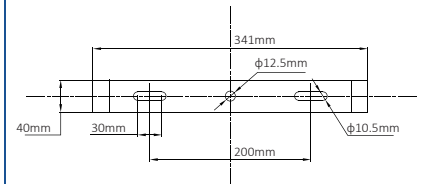
## Installation



Surface Mounting

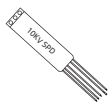


Recessed Mounting

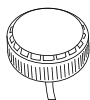


Bracket Mounting

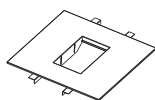
## Optional accessories



Extra 10KV SPD



Motion Sensor



Customized frame